

**Atari® TT030™ 1.44 Megabyte
Floppy Drive Installation Manual**

Reproduction of all or any portions of this manual is not allowed without the specific written consent of Atari Corporation.

Every effort has been made to ensure the accuracy of the product documentation in this manual. However, because Atari Corporation is constantly improving and updating its computer hardware and software, it is unable to guarantee the accuracy of printed material after the date of publication and disclaims liability for changes, errors, or omissions. These documents are for repair service information only. Part numbers are for reference only. Only parts on current dealer parts lists are available. No license is given for any use by the possession of these documents and may not be reproduced in any form without the written approval of Atari Corporation.

Atari, the Atari logo, TOS, and TT030 are trademarks or registered trademarks of Atari Corporation.

Copyright 1991, Atari Corporation
Sunnyvale, CA 94089-1302
All rights reserved.

Atari® TT030™ 1.44MB Floppy Disk Drive Installation Manual

Kit Contents

Your Atari TT030 1.44 Megabyte Floppy Disk kit P/N CA401220-001 should contain the following items:

- Floppy Drive Bracket Part Number: C302401-001
- 2MB 3½" Floppy Disk Part Number C301371-101
- REV 3.06 TOS ROMs Part Number: CA400836-001
- AJAX Disk Controller Chip Part Number: C302096-001
- Installation Manual Part Number: C302563-001

If any of these components are missing from your kit please contact the outlet from which the kit was ordered.

Tools Required:

- Phillips screwdriver.
- Flat blade (slotted) screwdriver

Installation

The following steps should be completed in the following order to install the 1.44 Megabyte floppy drive in your Atari TT030 computer.

Carefully read each step all the way through before taking any action required by that step.

WARNING

This installation should be performed in a static free environment. Static can cause damage to the components in this kit. Failure to perform each step completely or skipping steps could result in damage to the floppy drive, electrical components, or your computer.

1. If a Hard Disk is installed in the computer, remove it.
2. Remove the top cover from the computer.
3. Locate and remove the Floppy Disk Controller Chip at location U409. Replace it with the AJAX chip part number C302096-001.
4. If the TOS ROMs in the computer are lower than REV 3.06, replace them with REV 3.06 TOS ROMs part number CA400836-001.
5. Locate switch J203 on the main PCB and turn segment 7 on.
6. Set the jumpers on the rear of the 1.44 megabyte floppy drive to 1-2, 5-13, and 14-15. See Figure 1.

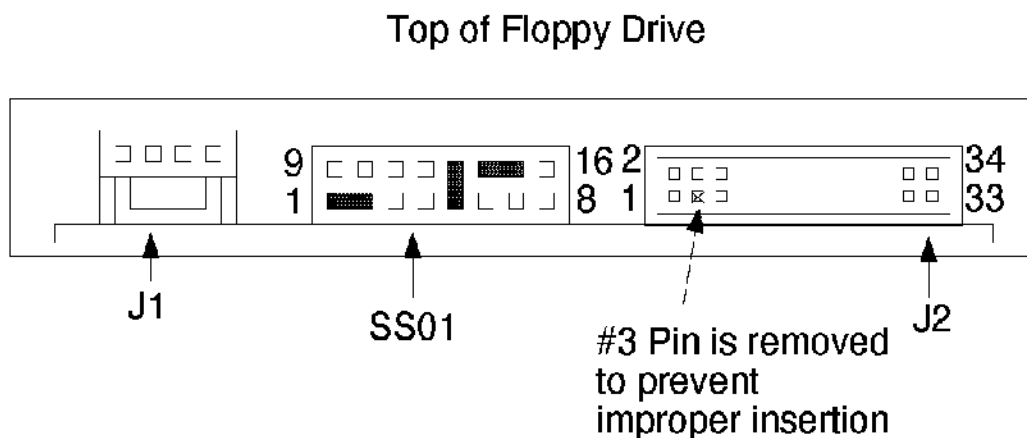
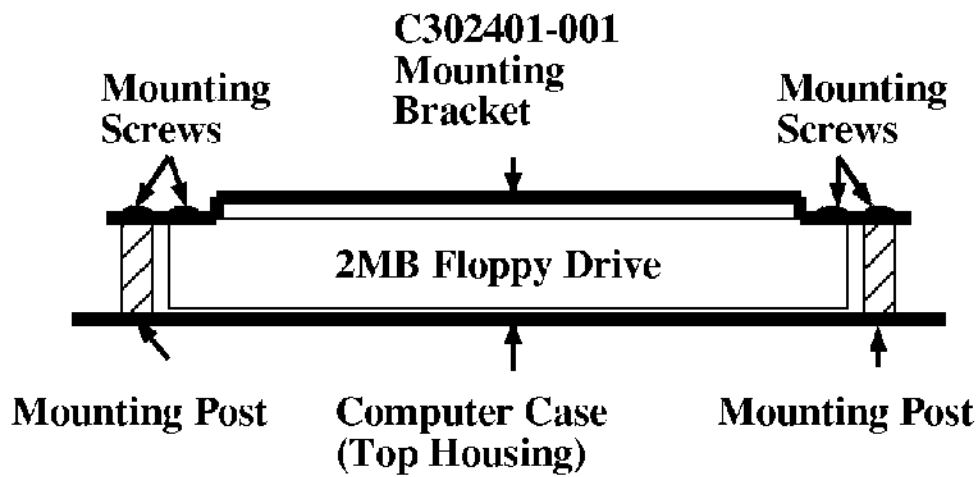


Figure 1

7. Remove the 1MB floppy drive from the top cover and replace it with the 2MB floppy drive part number C301371-101.

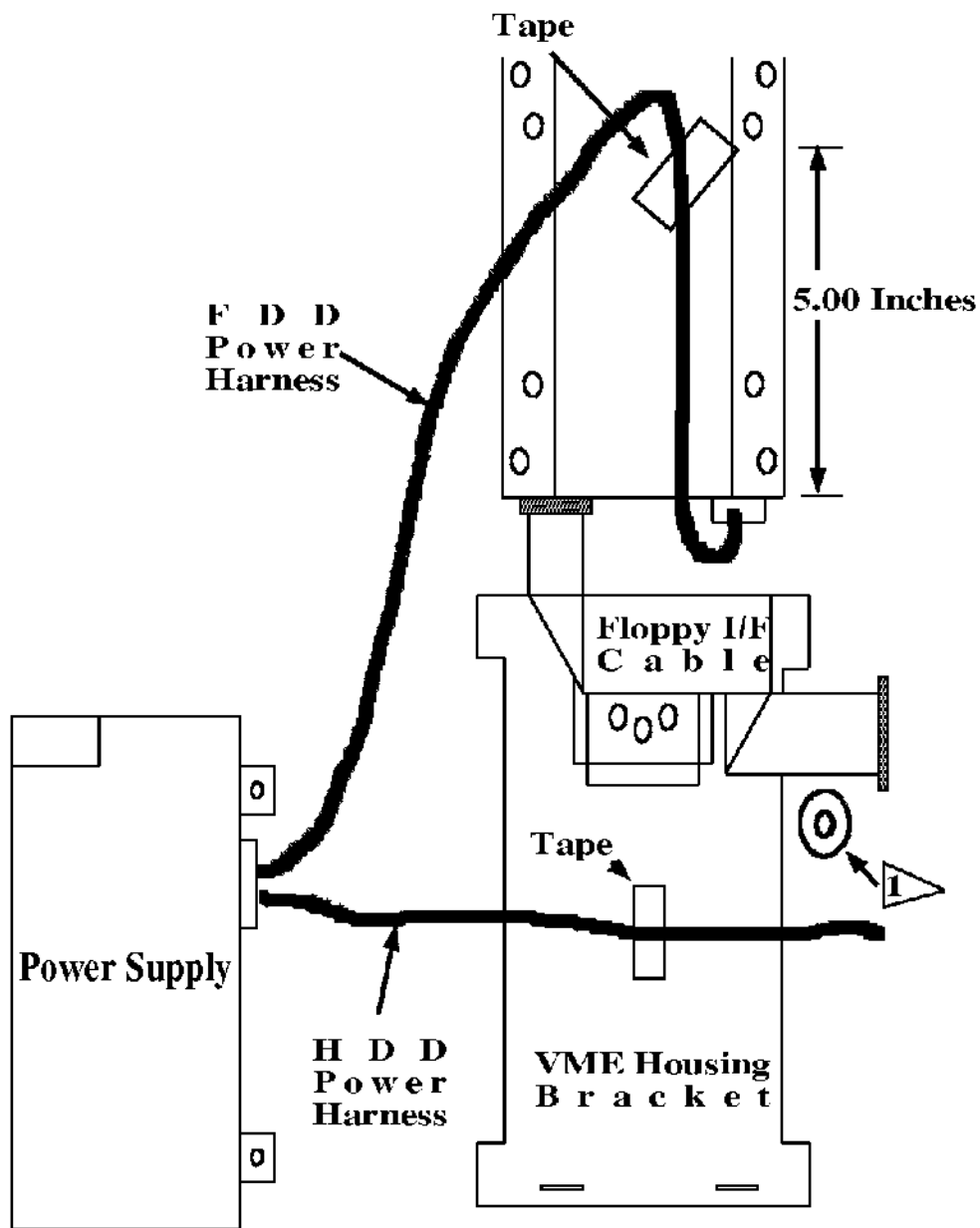
Be sure to install the drive into the mounting bracket as shown in Figure 2.



NOTE: Mounting Bracket offset MUST BE away from the drive as shown above!

Figure 2

8. Plug the floppy drive interface cable into J2 of the floppy drive.
9. Plug the power cable into J1 on the 1.44 megabyte floppy drive. Figure 1.
10. Route the floppy drive power harness and interface cable as shown in Figure 3.



1 Hole in PCB for Mounting Post on Top Housing. Be sure ribbon cable is behind mounting post when Top and Bottom Housings are assembled.

Figure 3

11. Replace the top cover.
12. If you removed a Hard Disk from the computer, replace it.

Notes

Copyright 1991, Atari Corporation
Sunnyvale, CA 94089-1302
All rights reserved.



Printed in Taiwan
C302563-001 REV. A